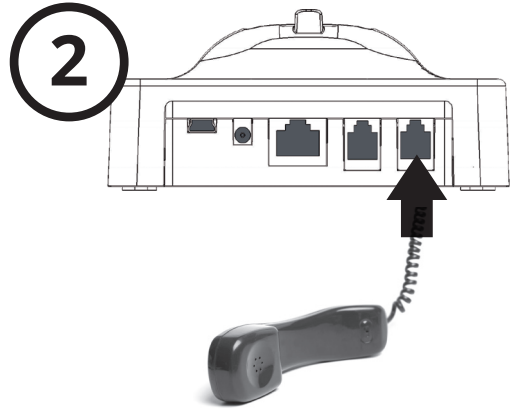
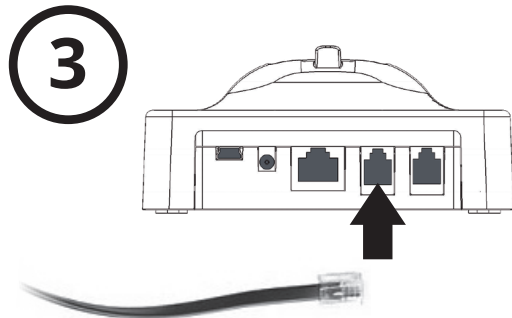


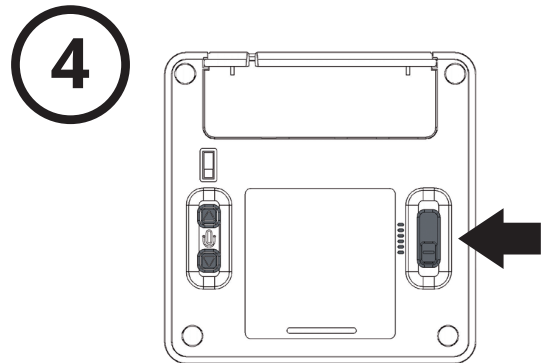
Plug in the base with the included AC adaptor. Place the LH280 in the base and let charge for 4 hours.



Unplug the telephone handset's curly cord from the phone base and plug into the Handset Port on the LH280.



Plug one end of the included telephone connector cord into the Handset Jack of your phone. Plug the other end into the Telephone Connector Port (TEL Port) on the LH280 base.



Make sure the Compatibility Switch is set to 1. You're all set!